

The low speed specialist

# MINI GOLIATH

570 mm !



Experience  
and expertise  
to your little  
sprues  
recycling

THE MOST COMPACT  
LOW SPEED  
GRANULATOR





MINI 1



MINI 2



MINI 4



straight hopper  
available on request



suits for recycling ; plastics PC, PA  
with or without fiber glass.  
Maximum output = 5 kg/hour

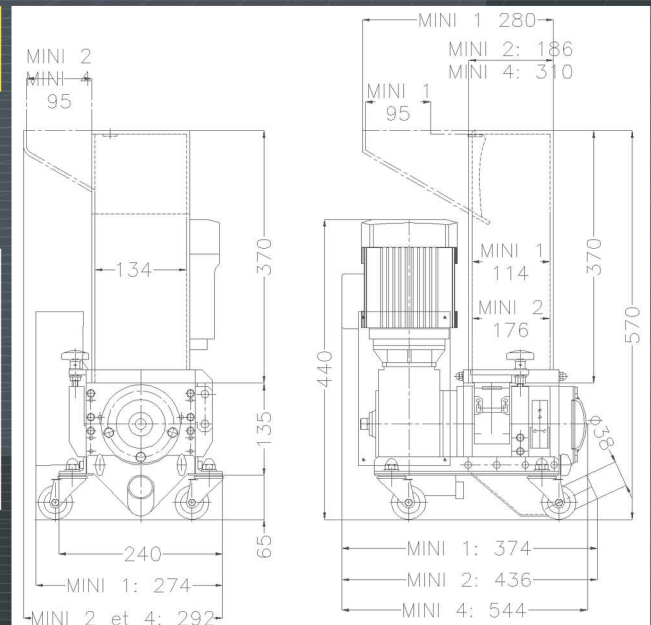
The **MINI GOLIATH** has been designed for recycling of very small sprues ( 4mm diameter maximum )  
The **MINI GOLIATH** benefits from MO-DI-TEC's know-how for low speed technology and **GOLIATH** quality :

- ★ the most compact low speed granulator (25 rpm) needs little space,
- ★ total weight of 45 kg including a PC hopper makes this low speed granulator easy to move,
- ★ reversible cutters and combs reducing sharpening frequency to 50% less,
- ★ 0,55 Kw low power consumption,
- ★ very little dust,
- ★ easy to clean,
- ★ very quiet and silent operation.

## MINI GOLIATH

Mini Goliath	MINI 1	MINI 2	MINI 4
Transmission		Direct	
Motor power (kW)		0,55	
Speed (rpm)		25	
Cutting chamber (mm)	134 x 114	134 x 176	134 x 300
Granulometry (mm)		5 (4)	
Maximum theoretical output* (kg/h)	2	3	5
Weight (kg)	45	50	70

\* Important variations according to material, granulometry and way of feeding.



**Sarl Montage Diffusion Technique**  
2 chemin du Génie – Bât. 23, allée André Chapelon  
69200 VENISSIEUX – France  
Tél. : 33 (0) 4 72 90 00 00  
Fax : 33 (0) 4 72 90 00 09  
Email : [mo-di-tec@mo-di-tec.fr](mailto:mo-di-tec@mo-di-tec.fr)  
Sarl au capital de 50 000€ - 523 806 404 RCS LYON  
N° TVA : FR18 523 806 404 APE : 4676Z